

4

3

2

REV B SH 1 DWG NO. CBC-16534-1

THIS DOCUMENT CONTAINS PROPRIETARY INFORMATION AND EXCEPT WITH WRITTEN PERMISSION OF TRI-STAR ELECTRONICS INT'L, INC., SUCH INFORMATION SHALL NOT BE PUBLISHED, OR DISCLOSED TO OTHERS, OR USED FOR ANY PURPOSE, AND THE DOCUMENT SHALL NOT BE DUPLICATED IN WHOLE OR IN PART.

REVISIONS				
ZONE	LTR	DESCRIPTION	DATE	APPD
B		REVISED PER E.O. 16045	12-04	2

D

D

C

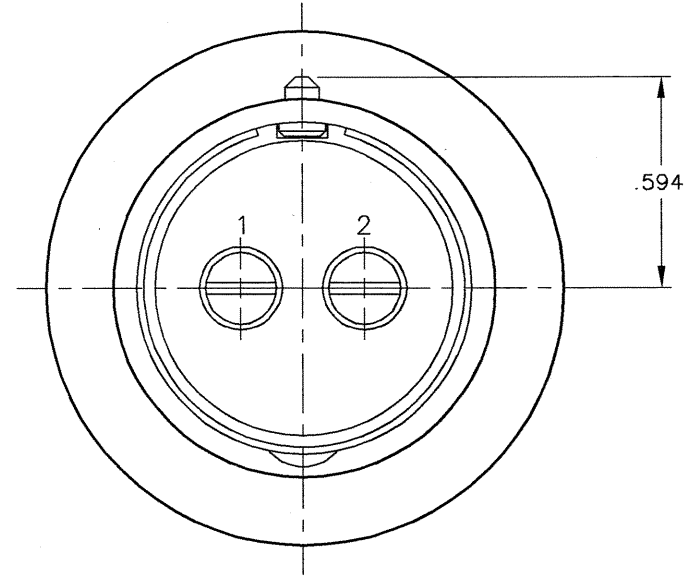
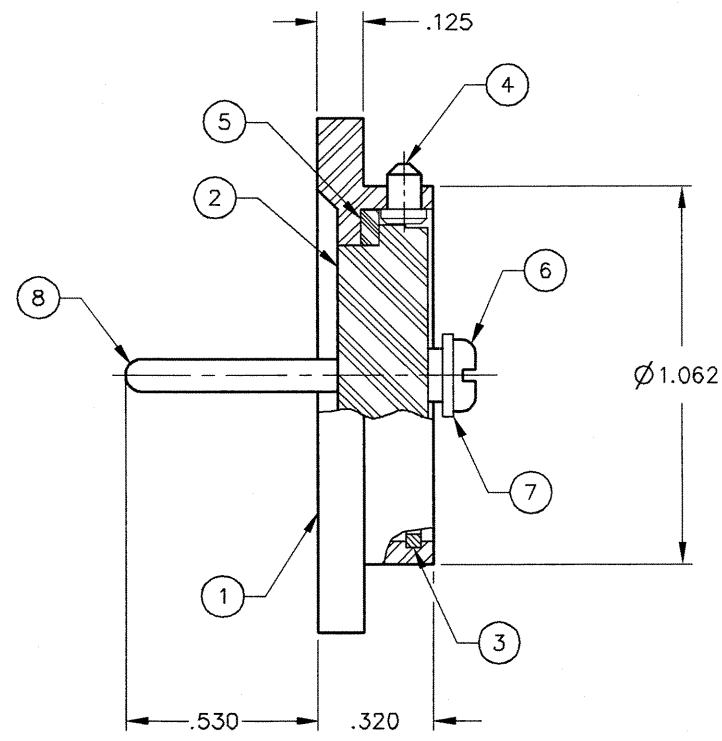
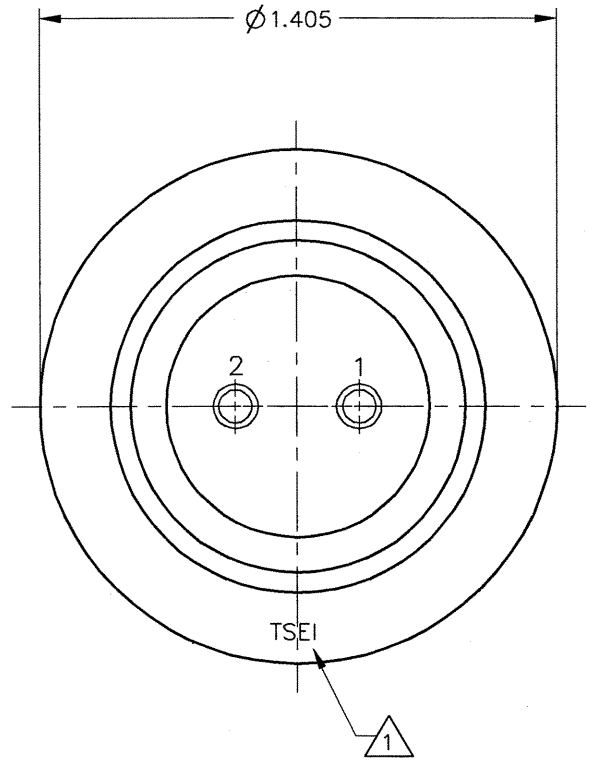
C

B

B

A

A



- 3 MATERIAL/FINISH:
 SCREW (#4) & LOCKWASHER (#4) - STEEL/CLEAR CAD PLATED
 INSERT RETAINING RING - PHOSPHOR BRONZE/BRIGHT NICKEL PLATE PER QQ-N-290
 INSULATOR - RYTON #10
 POLARIZING PIN - STAINLESS STEEL/PASSIVATED PER QQ-P-35
 PERIPHERAL SEAL - FLUOROSILICONE
 SHELL - BRASS ALLOY #360/ELECTROLESS NICKEL PLATE PER MIL-C-26074
 PIN CONTACTS (SIZE 10) - COPPER ALLOY/SILVER PLATE PER QQ-S-365

2. MATES WITH TSEI CBC-16371 AND ITT CANNON CA16371.

- 1 PART MARKING:
 TSEI, DATE CODE, CAGE CODE "55104", AND PART NUMBER.

NOTES: (UNLESS OTHERWISE SPECIFIED)

QTY	FROM	PART OR IDENTIFYING NO.	NOMENCLATURE OR DESCRIPTION	MATERIAL SPECIFICATION	ITEM NO.
2			CONTACT, PIN, SIZE 10		8
2			LOCKWASHER, #4		7
2			SCREW, #4-40		6
1			PERIPHERAL SEAL		5
1			POLARIZING PIN		4
1			RETAINING RING, INSERT		3
1			INSULATOR		2
1			SHELL		1

PARTS LIST

UNLESS OTHERWISE SPECIFIED DIMENSIONS ARE IN INCHES. TOLERANCES ARE:		CONTRACT NO.		TRI-STAR ELECTRONICS INT'L, INC.	
ANGLES ±30'	.XX ±.01	RATING:		2201 ROSECRANS AVENUE, EL SEGUNDO, CA 90245	
DO NOT SCALE DRAWING		APPROVALS		DWG TITLE	
MATERIALS	TREATMENT	DATE		CONNECTOR, ELECTRICAL	
		9/30/91		PLUG, TWO (2) PINS, SIZE 10	
REF:		CHECKED:	DATE	SIZE	CAGE CODE
		M.L. LEONOR	9/30/91	C	55104
		APPROVED:	DATE	DWG NO.	REV
		F.M. ACOSTA JR	9/30/91	CBC-16534-1	B
		APPROVED:	DATE	SCALE: NONE	CAD NO. 3-CBC16541
		F.M. ACOSTA JR	9/30/91		SHEET 1 OF 1

NEXT ASSEMBLY	USED ON
APPLICATION	

4

3

2

1