

4

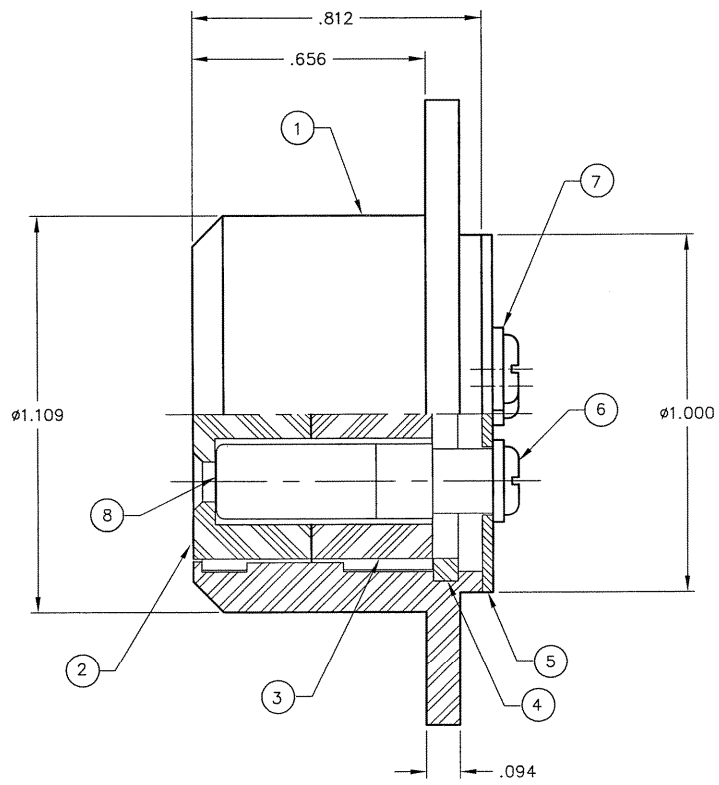
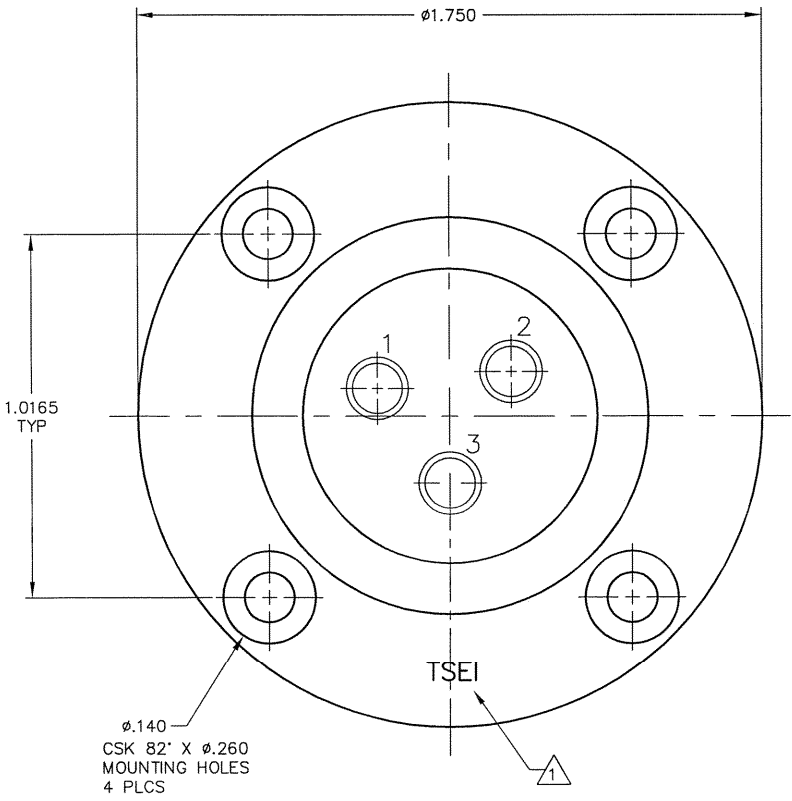
3

2

REV D SH 1 DWG NO. CBC-16707

THIS DOCUMENT CONTAINS PROPRIETARY INFORMATION AND EXCEPT WITH WRITTEN PERMISSION OF TRI-STAR ELECTRONICS INT'L, INC., SUCH INFORMATION SHALL NOT BE PUBLISHED, OR DISCLOSED TO OTHERS, OR USED FOR ANY PURPOSE, AND THE DOCUMENT SHALL NOT BE DUPLICATED IN WHOLE OR IN PART.

ZONE	LTR	DESCRIPTION	DATE	APPD
C		REVISED PER E.O. 14347	4-2-01	FMA
D		REVISED PER E.O. 18394	8/3/97	HW



CSK 82° X Ø.260 MOUNTING HOLES 4 PLCS

**3 MATERIAL/FINISH:**  
 SCREW (#4) & LOCKWASHER (#4) - STEEL/CLEAR CAD PLATED  
 INSERT RETAINING RING - PHOSPHOR BRONZE/NICKEL PLATED  
 PLATE - LAMINATE PER MIL-P-513  
 INSULATOR (FRONT & REAR) - RYTON #10  
 SHELL - STAINLESS STEEL/PASSIVATED  
 SOCKET CONTACTS (SIZE 10) - COPPER ALLOY/SILVER PLATED

2. MATES WITH TSEI CBC-16706-1 AND ITT CANNON CA16706-1.

**1 PART MARKING:**  
 TSEI, DATE CODE, CAGE CODE "55104", AND PART NUMBER.

NOTES: (UNLESS OTHERWISE SPECIFIED)

QTY	FROM	PART OR IDENTIFYING NO.	NOMENCLATURE OR DESCRIPTION	MATERIAL SPECIFICATION	ITEM NO.
3			SOCKET, CONTACT, SZ 10		8
3			LOCKWASHER		7
3			SCREW		6
1			PLATE		5
1			INSERT RETAINING RING		4
1			INSULATOR, REAR		3
1			INSULATOR, FRONT		2
1			SHELL		1

PARTS LIST		APPROVALS		DATE	DWG TITLE	
UNLESS OTHERWISE SPECIFIED DIMENSIONS ARE IN INCHES		DRAWN: J. QUITANGON		9/25/91	CONNECTOR, ELECTRICAL GALLEY, THREE (3) SOCKETS, SIZE 10	
TOLERANCES ARE:		CHECKED: F.M. ACOSTA JR		9/25/91	SITE: CAGE CODE: DWG NO.:	
ANGLES: .XX ±.01 .XXX ±.005		APPROVED:			C 55104 CBC-16707	
DO NOT SCALE DRAWING		APPROVED: F.M. ACOSTA JR		9/25/91	SCALE: NONE CAD NO: 4-09252 SHEET 1 OF 1	
MATERIAL: TREATMENT: FINISH:		CONTRACT NO.:			TRI-STAR ELECTRONICS INT'L, INC. 2201 ROSECRANS AVENUE, EL SEGUNDO, CA 90245	

APPLICATION	USED ON

D  
C  
B  
A

D  
C  
B  
A

4

3

2

1