

4

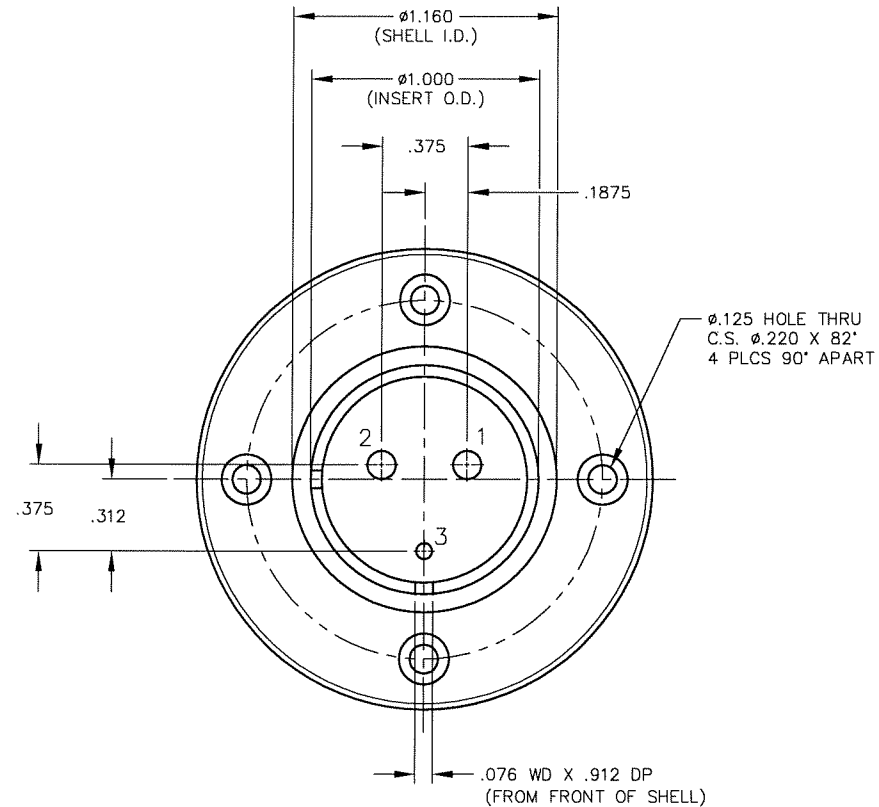
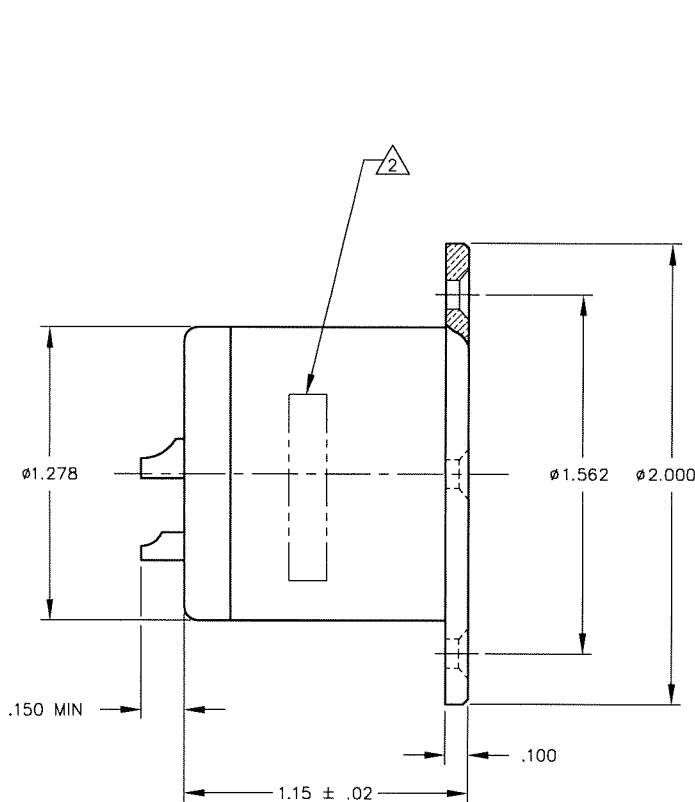
3

2

REV	SH	DWG NO.
E	1	CBC46357-594

THIS DOCUMENT CONTAINS PROPRIETARY INFORMATION AND EXCEPT WITH WRITTEN PERMISSION OF TRI-STAR ELECTRONICS INT'L, INC., SUCH INFORMATION SHALL NOT BE PUBLISHED, OR DISCLOSED TO OTHERS, OR USED FOR ANY PURPOSE, AND THE DOCUMENT SHALL NOT BE DUPLICATED IN WHOLE OR IN PART.

REVISIONS				
ZONE	LTR	DESCRIPTION	DATE	APPD
	D	REVISED PER E.O. 14116	2-2-01	FMA
	E	REVISED PER E.O. 19730	6/22/09	Hlc



3. PRELOADED WITH (1) SIZE 12 & (2) SIZE 6 SOLDER CUP CONTACTS.

2 MARKING: TSEI, CAGE CODE "55104", DATE CODE & PART NUMBER.

1 MATERIAL & FINISH:

SHELL & SLEEVE - 300 SERIES STAINLESS STEEL, PASSIVATED PER QQ-P-35.
 CONTACT - SUITABLE COPPER ALLOY PER MIL-C-39029, SILVER PLATED.
 INSULATOR - HIGH GRADE DIELECTRIC MATERIAL.

NOTES: (UNLESS OTHERWISE SPECIFIED)

QTY	FROM	PART OR	NONCUMULATIVE	MATERIAL	ITEM
REQD	NO.	IDENTIFYING NO.	OR DESCRIPTION	SPECIFICATION	NO.
PARTS LIST					
UNLESS OTHERWISE SPECIFIED DIMENSIONS ARE IN INCHES TOLERANCES ARE:			CONTRACT NO.		
ANGLES .XX .XXX .000 ±30° ±.01 ±.005			RATING:		
DO NOT SCALE DRAWING			APPROVALS DATE		
MATERIAL: TREATMENT: FINISH:			DRAWN: J. QUITANGON 7-6-92		
REF:			CHECKED: M.L. LEONOR 7-6-92		
NEXT ASSEMBLY USED ON			APPROVED: L.B. ODUCA 7-6-92		
APPLICATION			APPROVED: F.M. ACOSTA JR 7-6-92		
			SCALE: NONE CAD NO: CBC46357 SHEET 1 OF 1		

TRI-STAR ELECTRONICS INT'L, INC.
 2201 ROSECRANS AVENUE, EL SEGUNDO, CA 90245

DWG TITLE: **CONN, RECEPTACLE, ELECTRICAL GALLEY**

CAGE CODE: **55104** DWG NO.: **CBC46357-594** REV: **E**

4

3

2

1