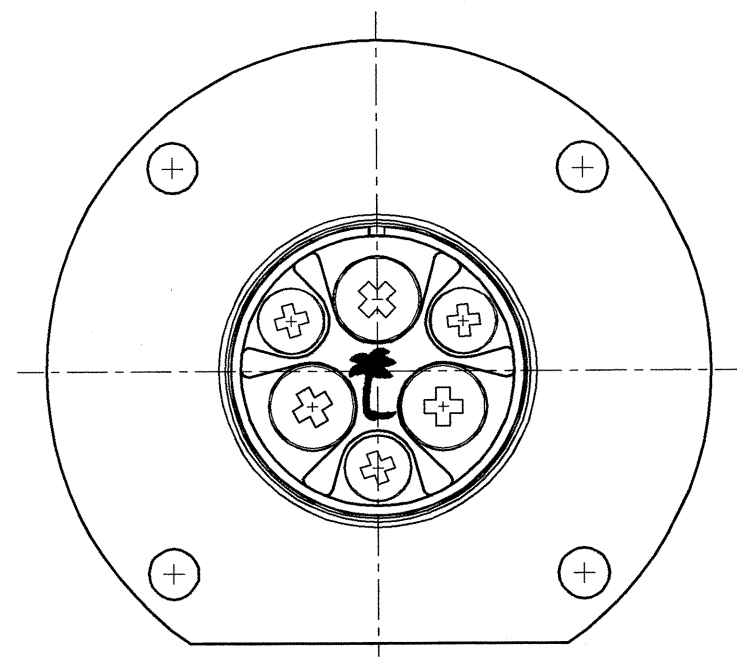
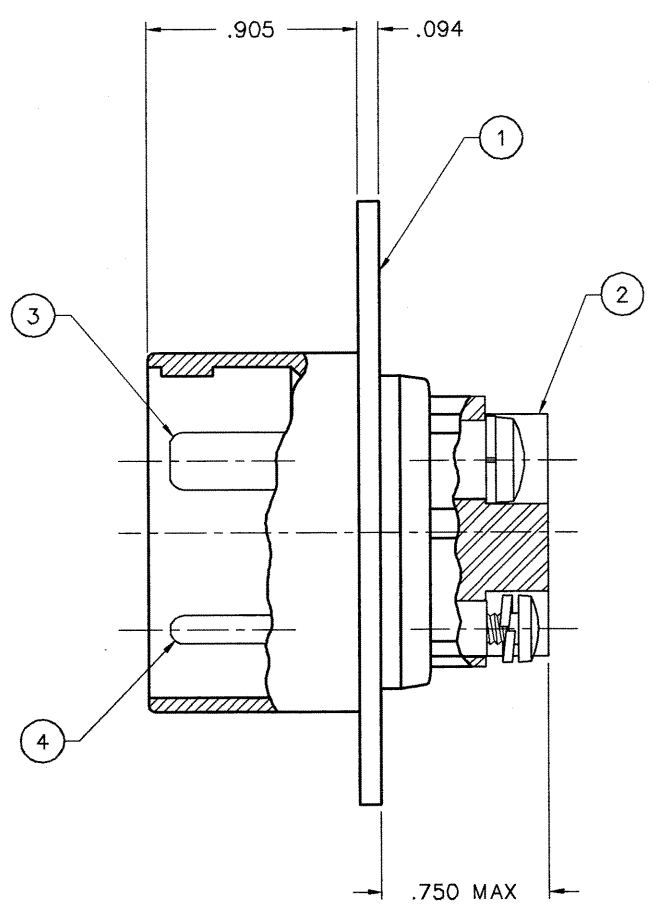
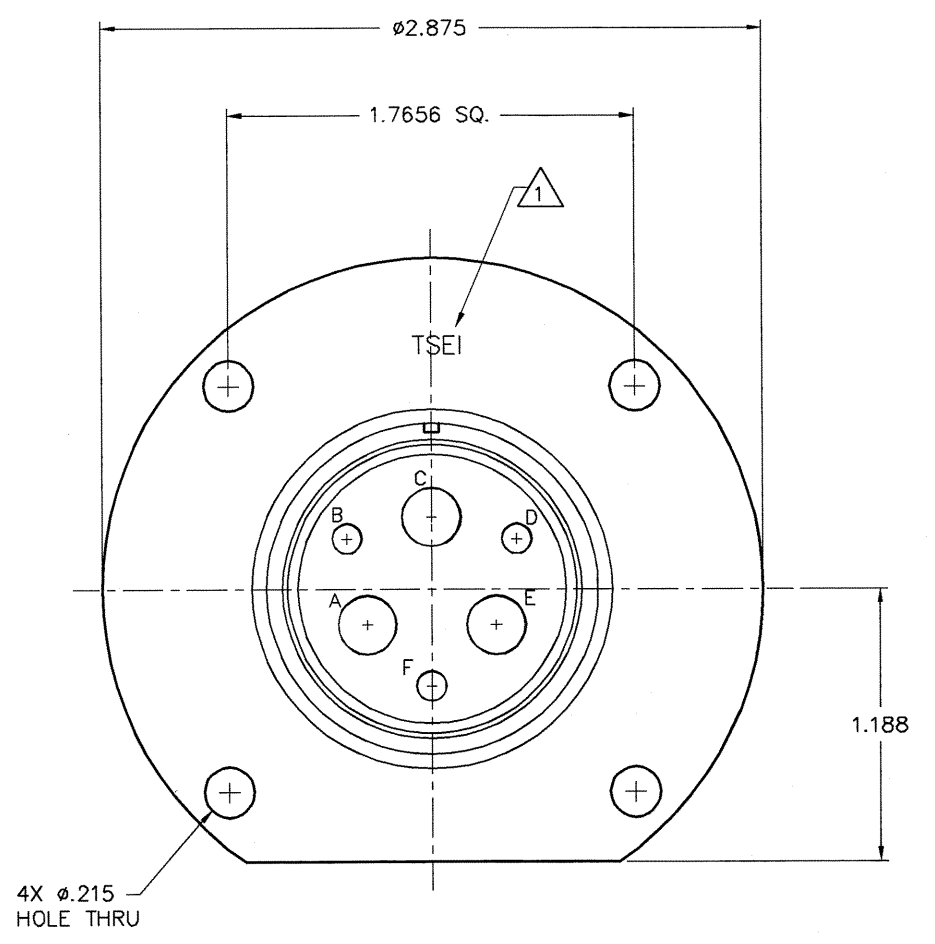


ZONE	REV	DESCRIPTION	DATE	APPROVED
B	REVIS	PER EO 14347	4-2-01	FMA
C	REVIS	PER EO 16045	7-24-92	

THIS DOCUMENT CONTAINS PROPRIETARY INFORMATION AND EXCEPT WITH WRITTEN PERMISSION OF TRI-STAR ELECTRONICS INT'L, INC. SUCH INFORMATION SHALL NOT BE PUBLISHED, OR DISCLOSED TO OTHERS, OR USED FOR ANY PURPOSE, AND THE DOCUMENT SHALL NOT BE DUPLICATED IN WHOLE OR IN PART.



- 3 MATERIAL AND FINISH:**
 SCREWS AND LOCKWASHERS - STAINLESS STEEL, PASSIVATED
 O-RING - NEOPRENE
 INSULATOR - RYTON #10
 PIN CONTACT (SIZE 4 & 10) - COPPER ALLOY WITH SILVER PLATE PER QQ-S-365
 SHELL - ALUMINUM ALLOY WITH ELECTROLESS NICKEL PLATE PER MIL-C-26074
- 2. MATES WITH TSEI CBC-6-33, CBC-6-33-1, AND ITT CANNON BUC-6-33.**
- 1 PART MARKING:**
 TSEI, DATE CODE, CAGE CODE "55104" AND PART NUMBER.

NOTES (UNLESS OTHERWISE SPECIFIED)

QTY REQD	PSOM NO	PART OR IDENTIFYING NO	NOMENCLATURE OR DESCRIPTION	MATERIAL SPECIFICATION	ITEM NO
3			PIN, CONTACT SZ 10 W/ 6-32 SCREW AND LOCKWASHER		4
3			PIN, CONTACT SZ 4 W/ 10-32 SCREW AND LOCKWASHER		3
1			INSULATOR ASSY		2
1			SHELL		1

UNLESS OTHERWISE SPECIFIED, DIMENSIONS ARE IN INCHES. TOLERANCES ARE:		APPROVALS		DATE	TITLE
ANGLES ±30°	XX ±.01	O. BRAGA JR.		7/24/92	CONNECTOR, SHELL, PLUG SCREW TERMINATION, CBC-6-34-1
DO NOT SCALE DRAWING	XXX ±.005	M.L. LEONOR		7/24/92	
MATERIAL: 3	TREATMENT:	L.B. ODUCA		7/24/92	
FINISH: 3		F.M. ACOSTA JR		7/24/92	
REFERENCE		SCALE NONE		CAGE CODE	DWG NO.
NEXT ASSY	USED ON	D55104		CBC-6-34-1	REV. C
APPLICATION		CAD FILE NO. 2-CBC6341A		SHEET 1 OF 1	

TRI-STAR ELECTRONICS INT'L, INC.
 2201 ROSECRANS AVE., EL SEGUNDO, CA 90245