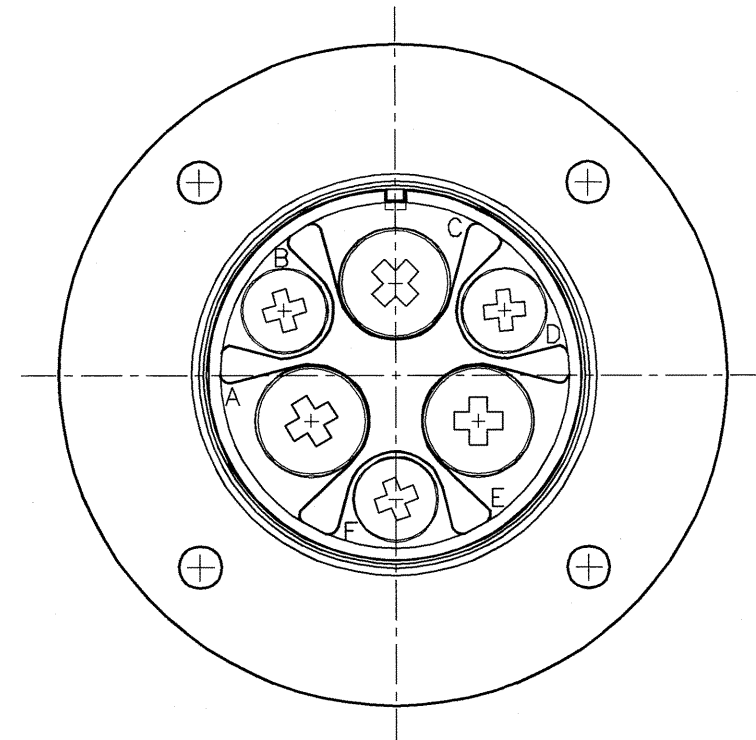
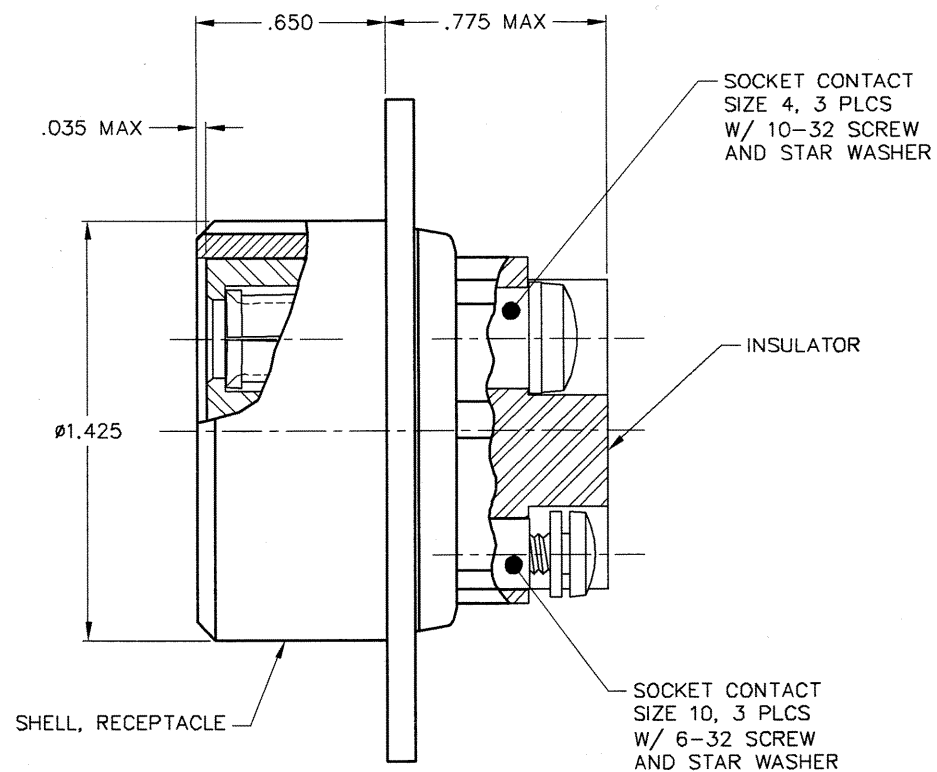
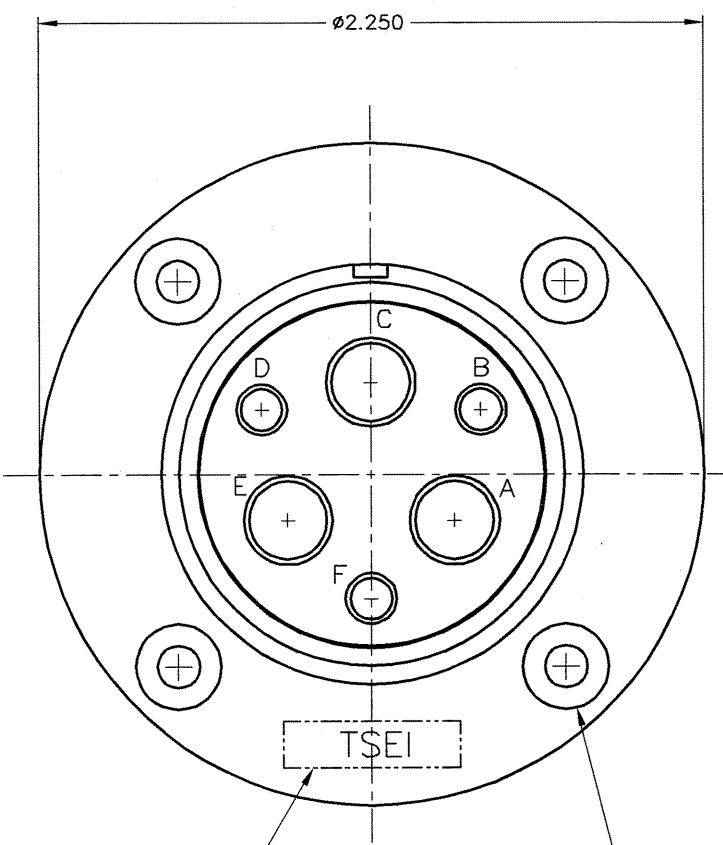


DWG. NO. CBC-6-33-1		REV. 1	REV. F	1
REVISIONS				
ZONE	REV	DESCRIPTION	DATE	APPROVED
E		REVISED PER E.O. #14073	1-30-01	FMA
F		REVISED PER E.O. #16045	12-3-04	[Signature]

THIS DOCUMENT CONTAINS PROPRIETARY INFORMATION AND EXCEPT WITH WRITTEN PERMISSION OF TRI-STAR ELECTRONICS INT'L, INC., SUCH INFORMATION SHALL NOT BE PUBLISHED, OR DISCLOSED TO OTHERS, OR USED FOR ANY PURPOSE, AND THE DOCUMENT SHALL NOT BE DUPLICATED IN WHOLE OR IN PART.



Ø.144 HOLE THRU ∇ Ø.29 X 82°
4 PLCS EQUALLY SPACED
ON A Ø1.85 BC

- 3 MATERIAL & FINISH:
SCREWS AND STAR WASHER - BRASS ALLOY WITH CLEAR CAD PLATING PER QQ-P-416.
O-RING - NEOPRENE
INSULATOR - FORTRON CELANESE 1140L4, COLOR BLACK.
SOCKET CONTACT (SIZE 4 & 10) - COPPER ALLOY WITH SILVER PLATE PER QQ-S-365
SHELL - ALUMINUM ALLOY WITH ELECTROLESS NICKEL PLATE PER MIL-C-26074
2. MATES WITH TSEI CBC-6-34, CBC-6-34-1, AND ITT CANNON BUC-6-34.
- 1 PART MARKING: "TSEI", DATE CODE, AND CAGE CODE "55104", AND PART NUMBER.

NOTES (UNLESS OTHERWISE SPECIFIED)

QTY REQD	FSM NO.	PART OR IDENTIFYING NO.	NOMENCLATURE OR DESCRIPTION	MATERIAL SPECIFICATION	ITEM NO.
PARTS LIST					
UNLESS OTHERWISE SPECIFIED, DIMENSIONS ARE IN INCHES. TOLERANCES ARE:			TRI-STAR ELECTRONICS INT'L, INC. 2201 ROSECRANS AVE., EL SEGUNDO, CA 90245		
ANGLES $\pm 30^\circ$	XX ± 0.01	XXX ± 0.005	APPROVALS	DATE	TITLE
DO NOT SCALE DRAWING			CONNECTOR, RECEPTACLE SCREW TERMINATION, CBC-6-33-1		
MATERIAL	TREATMENT	FINISH	DRAWN	7/24/92	
3		3	CHECKED	7/24/92	
REFERENCE			APPROVED	7/24/92	
NEXT ASSY	USED ON		APPROVED	7/24/92	
APPLICATION			SCALE: X:1		