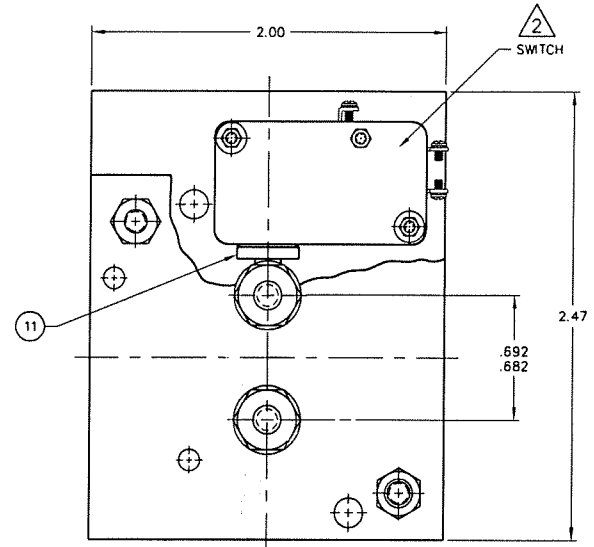
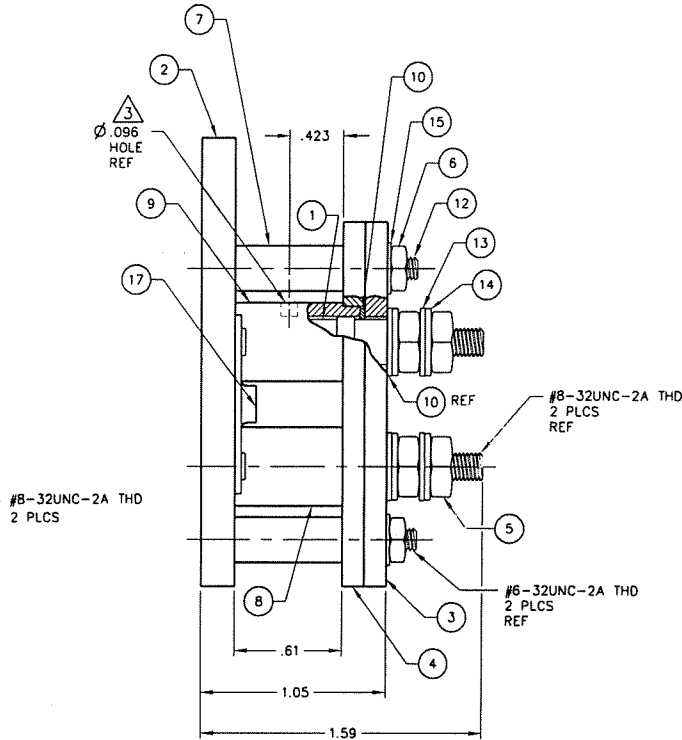
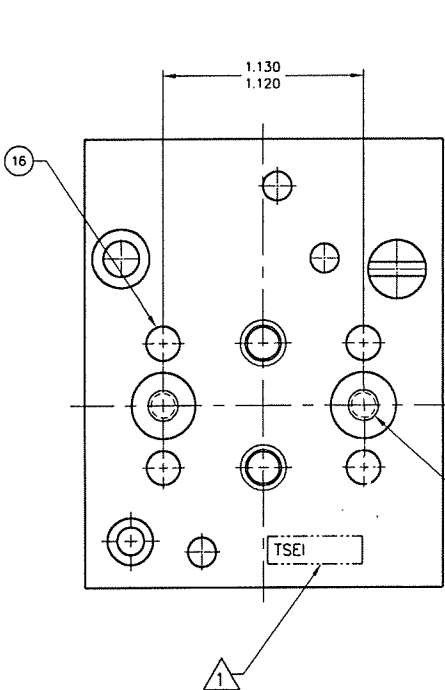


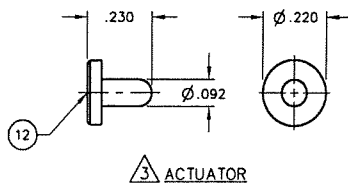
CBC-13303-2		1	REV	REVISIONS
DATE	REV	DESCRIPTION	DATE	APPROVED
	E	REVISED PER EO 14254	2-22-01	FMA

THIS DOCUMENT CONTAINS PROPRIETARY INFORMATION AND EXCEPT IN WRITTEN PERMISSION OF TRI-STAR ELECTRONICS INT'L, INC. SUCH INFORMATION SHALL NOT BE REPRODUCED OR DISCLOSED TO OTHERS OR USED FOR ANY PURPOSE, AND THE DOCUMENT SHALL NOT BE DUPLICATED IN WHOLE OR IN PART.



SWITCH INSTALLATION SHOWN FOR REF. ONLY

SWITCH & ACTUATOR NOT SHOWN ON THIS VIEW FOR CLARITY



2		PLATE, NUT, #8-32		17
4		RIVET		16
2		LOCKWASHER, #6-32	STEEL/CADMIUM PLATED	15
4		LOCKWASHER, #8-32		14
2		WASHER, #8-32		13
2		SCREW, #6-32 X 1.250L		12
1		ACTUATOR		11
4		WASHER, KEYING	STAINLESS STEEL/PASSIVATED	10
1		BUSHING (WITH HOLE)		9
1		BUSHING (WITHOUT HOLE)		8
2		SPACER	BRASS	7
2		NUT, #6-32		6
4		NUT, #8-32		5
1		PLATE, TOP, INNER		4
1		PLATE, TOP	G9 GLASS MELAMINE	3
1		PLATE, BASE		2
2		CONTACT, SOCKET, SIZE 5	COPPER ALLOY	1

- ③ ACTUATOR IS INSTALLED IN HOLE WHEN SWITCH IS USED.
- ② SWITCH IS SHOWN FOR REFERENCE ONLY AND MUST BE ORDERED SEPARATELY. SWITCH PART NUMBER CV3-1001.
- ① PART MARKING: TSEI, DATE CODE, CAGE CODE "55104" AND PART NUMBER.

NOTES (UNLESS OTHERWISE SPECIFIED)

UNLESS OTHERWISE SPECIFIED, DIMENSIONS ARE IN INCHES TOLERANCES ARE:		TRI-STAR ELECTRONICS INT'L, INC. 2201 ROSECRANS AVE., EL SECONDO, CA 90245	
APPROVALS	DATE	CONNECTOR ASSEMBLY BUFFET	
BY G. BRAGA	4/06/93	D55104 CBC-13303-2	
BY M.L. LEONOR	4/06/93	CBCT332	
BY L.B. ODUCA	4/06/93	SHEET 1 OF 1	
BY F.M. ACOSTA JR	4/06/93	SCALE NONE	