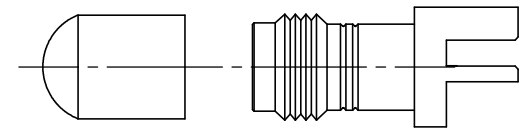
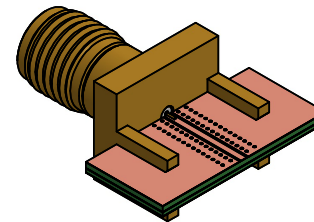


- NOTE(S):
1. These characteristics are typical and for reference.
 2. See sheet 2 for PCB interface definition.
 3. For questions please contact sales@amphenolcdi.com

DETAIL A
SCALE 20:1



PROTECTION CAP

| REVISIONS | | | |
|-----------|------------------------------|------------|----------|
| REV. | DESCRIPTION | DATE | APPROVED |
| - | INITIAL RELEASE | 07/24/2018 | MM |
| 1 | UPDATED PART NUMBER | 10/24/2018 | DL |
| 2 | ADDED SHEET 2 PCB DEFINITION | 2/20/2019 | PV |
| 3 | ADDED SECTION VIEW | 3/12/2019 | PV |

MATERIAL(S):

Body:
Brass
Center Conductor:
Beryllium Copper
Insulator:
Insulator 1: PCTFE, white
Insulator 2: PTFE, white
RoHS Compliant
Protective Cap:
Soft PVC
Color: Blue

ELECTRICAL(S):

Impedance: 50 Ohms Nominal
Frequency Range: DC to 50 GHz
VSWR: 1.3:1 max at 50 GHz
Working Voltage: 400 Vrms max @ Sea Level
Dielectric Withstand Voltage: 500 Vrms max.
Insulation Resistance: 5000 Megaohms min.
Contact Resistance:
Initial:
Center Contact: 1.5 Milliohms max
Outer Contact: 0.8 Milliohms max

MECHANICAL(S):

Mating Characteristics:
Interface per MIL-STD-348
Force to Engage & Disengage:
Torque: 2 inch-pounds max
Longitudinal Force: NA
Connector Durability:
500 Cycles min.
Permeability: Less than 2.0 mu.
Center Contact Retention:
Axial Force: 6 pounds min.
Radial Force: NA

ENVIRONMENTAL(S):

Temperature Range: -65°C to +165°C
Moisture Resistance:
MIL-STD-202, Method 103, Test Condition B
Corrosion:
MIL-STD-202, Method 101, Test Condition B
Vibration:
MIL-STD-202, Method 204, Test Condition A
Shock:
MIL-STD-202, Method 213, Test Condition 1

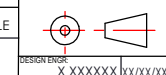
FINISH(ES):

Body:
Gold Plating
Center Conductor:
Gold Plating

DIMENSIONS ARE IN MILLIMETERS [INCHES]
± TOLERANCES UNLESS OTHERWISE NOTED

| .X | .XX | .XXX | .XXXX | ANGLE |
|------------------|-------------------|--------------------|---------------------|-------|
| 0.3mm [.012"] | 0.15mm [.006"] | 0.050mm [.002"] | 0.010mm [.0004"] | 0.5 |

THIRD ANGLE PROJECTION



TITLE
2.40mm STRAIGHT JACK, EDGE MOUNT (MANUAL SOLDER)

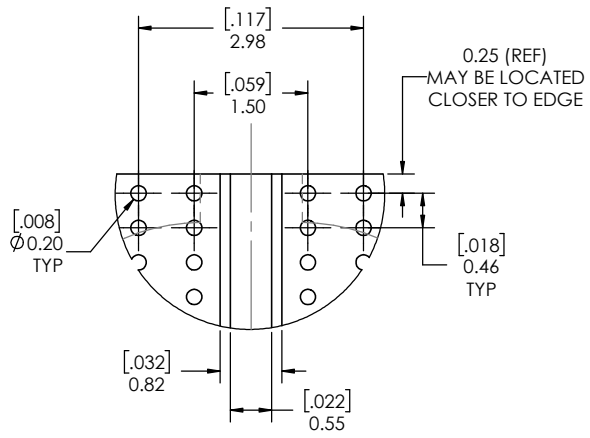
THE INFORMATION CONTAINED HEREIN IS PROPRIETARY TO AMPHENOL, AND SHALL IN NO WAY BE REPRODUCED OR DISCLOSED IN WHOLE OR IN PART OR USED FOR ANY DESIGN OR MANUFACTURE EXCEPT WHEN SUCH USER POSSESSES DIRECT, WRITTEN AUTHORIZATION FROM AMPHENOL.



NEXT ASSY. USED ON APPLICATION

DESIGNER: X XXXXXX XX/XX/XXX
DESIGNED BY: X XXXXXX XX/XX/XXX
PRODUCT:
QUALITY:
MFG:

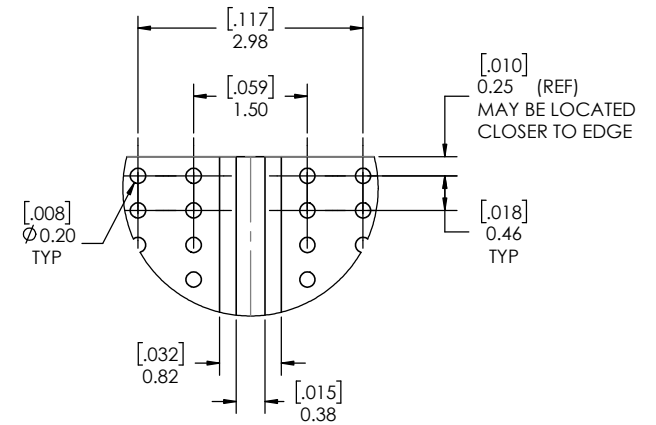
SIZE: C
CAGE CODE: 7M294
PART NUMBER: TMB-E4FS-1S1
REV: 3
SCALE: 8:1
DO NOT SCALE DRAWING
1 OF 2



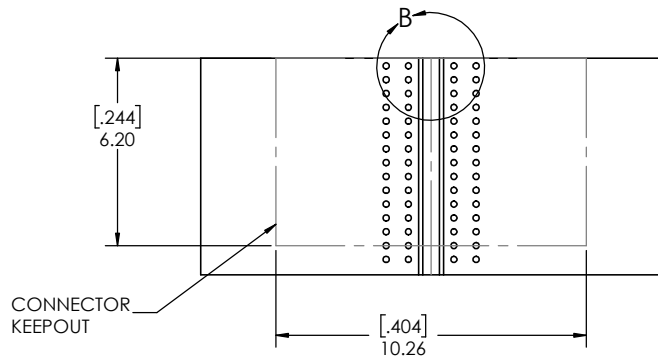
DETAIL B
SCALE 20 : 1



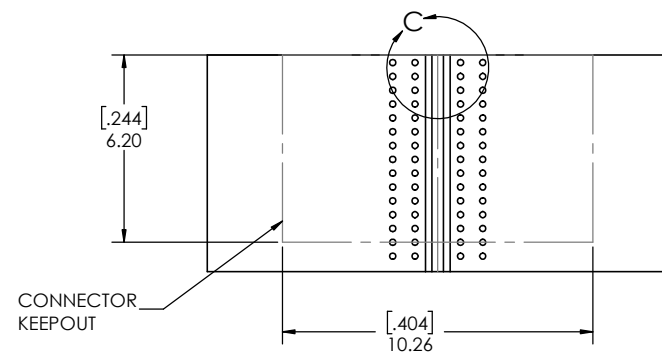
SOLDER PASTE STENCIL
SCALE 6:1



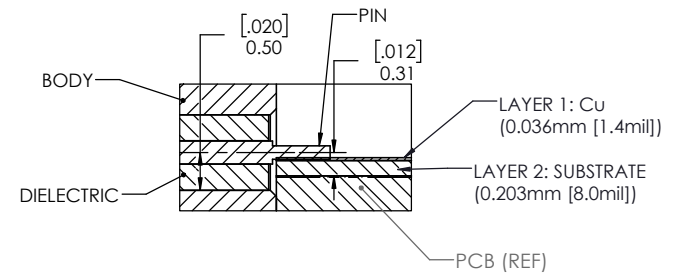
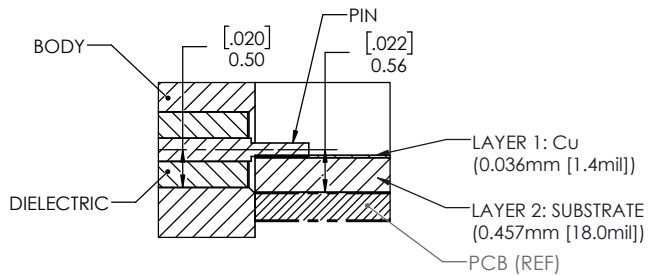
DETAIL C
SCALE 20 : 1



PCB LAYOUT OPTION 1
0.457mm [18.0mil] THICK SUBSTRATE (LAYER 2)



PCB LAYOUT OPTION 2
0.203mm [8.0mil] THICK SUBSTRATE (LAYER 2)



PCB LAYOUT
(FOR REFERENCE ONLY)



2.40mm STRAIGHT JACK,
EDGE MOUNT (MANUAL
SOLDER)

| SIZE | CAGE CODE | PART NUMBER | REV |
|------------|-----------|---------------------------------|-----|
| C | 7M294 | TMB-E4FS-1S1 | 3 |
| SCALE: 8:1 | | PART NUMBER:TMB-E4FS-1S1 2 OF 2 | |