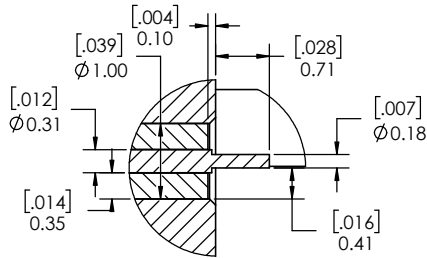
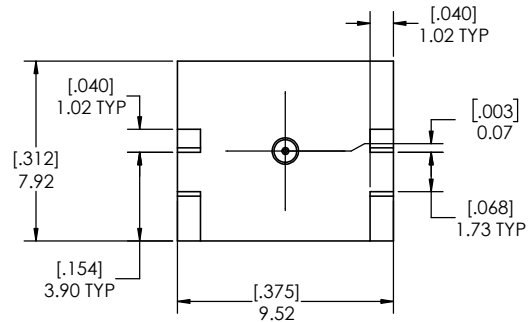
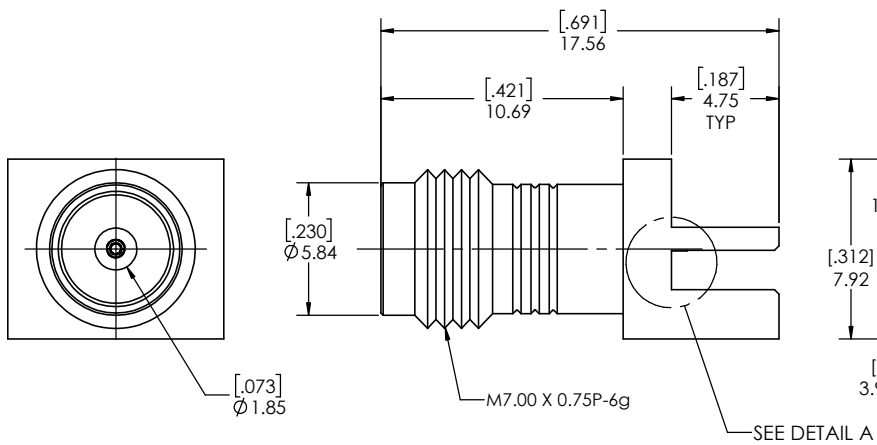
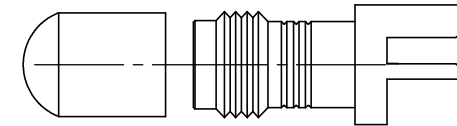
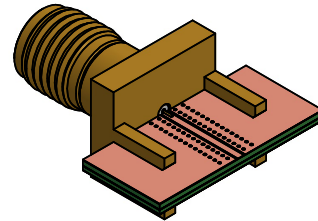
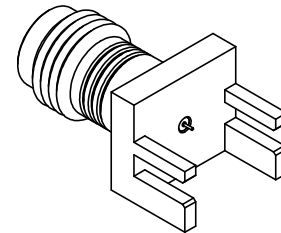


REVISIONS			
REV.	DESCRIPTION	DATE	APPROVED
-	INITIAL RELEASE	07/24/2018	MM
1	UPDATED PART NUMBER AND COLOR	10/26/2018	DL
2	ADDED SHEET 2 PCB DEFINITION	2/20/2019	PV
3	ADDED SECTION VIEW	3/12/2019	PV



DETAIL A
SCALE 20:1



PROTECTION CAP

NOTE(S):

1. These characteristics are typical and for reference.
2. See sheet 2 for PCB interface definition.
3. For questions please contact sales@amphenolcdi.com

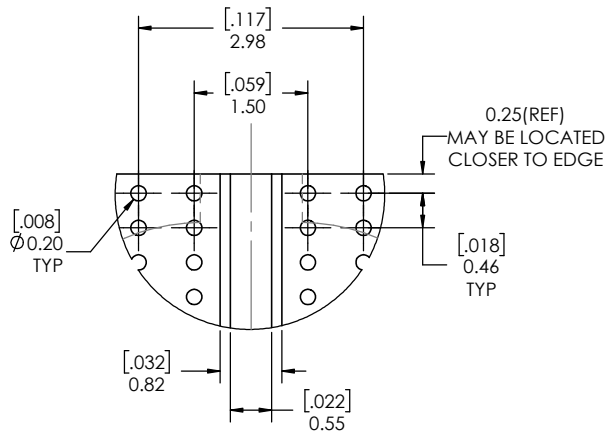
MATERIAL(S):	ELECTRICAL(S):	MECHANICAL(S):	ENVIRONMENTAL(S):
Body: Brass Center Conductor: Beryllium Copper Insulator: Insulator1: PCTFE, white Insulator 2: PTFE, white RoHS Compliant Protective Cap: Soft PVC Color: Green	Impedance: 50 Ohms Nominal Frequency Range: DC to 65 GHz VSWR: 1.3:1 max at 65 GHz Working Voltage: 400 Vrms max @ Sea Level Dielectric Withstand Voltage: 500 Vrms max. Insulation Resistance: 5000 Megaohms min. Contact Resistance: Initial: Center Contact: 1.5 Milliohms max Outer Contact: 0.8 Milliohms max	Mating Characteristics: Interface per MIL-STD-348 Force to Engage & Disengage: Torque: 2 inch-pounds max Longitudinal Force: NA Connector Durability: 500 Cycles min. Permeability: Less than 2.0 mu. Center Contact Retention: Axial Force: 6 pounds min. Radial Force: NA	Temperature Range: -65°C to +165°C Moisture Resistance: MIL-STD-202, Method 103, Test Condition B Corrosion: MIL-STD-202, Method 101, Test Condition B Vibration: MIL-STD-202, Method 204, Test Condition A Shock: MIL-STD-202, Method 213, Test Condition 1
FINISH(ES):			

Body:
Gold Plating
Center Conductor:
Gold Plating

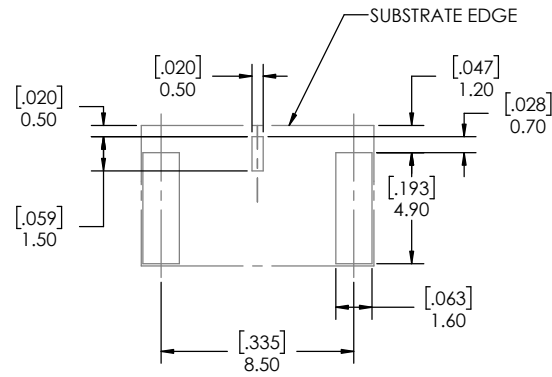


DIMENSIONS ARE IN MILLIMETERS [INCHES] ± TOLERANCES UNLESS OTHERWISE NOTED					THIRD ANGLE PROJECTION 			
.X	.XX	.XXX	.XXXX	ANGLE			Amphenol 1.85mm STRAIGHT JACK, EDGE MOUNT (MANUAL SOLDER)	
0.3mm [0.12"]	0.15mm [.006"]	0.050mm [.002"]	0.010mm [.0004"]	0.5	DESIGNER: X XXXXXX XX/XX/XXXX DESIGNED BY: X XXXXXX XX/XX/XXXX		TITLE:	
NEXT ASSY. USED ON					PRODUCT:		PART NUMBER:	
APPLICATION					QUALITY:		SIZE: C CAGE CODE: 7M294	
					MFG:		TMB-E8FS-1S1 3	
							SCALE: 8:1 DO NOT SCALE DRAWING 1 OF 2	

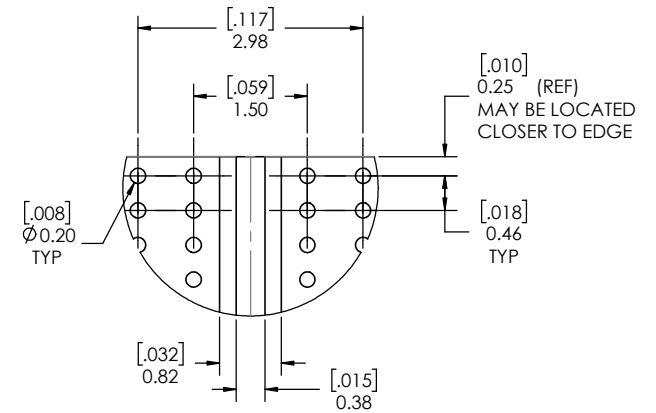
THE INFORMATION CONTAINED HEREIN IS PROPRIETARY TO AMPHENOL, AND SHALL IN NO WAY BE REPRODUCED OR DISCLOSED IN WHOLE OR IN PART OR USED FOR ANY DESIGN OR MANUFACTURE EXCEPT WHEN SUCH USER POSSESSES DIRECT, WRITTEN AUTHORIZATION FROM AMPHENOL.



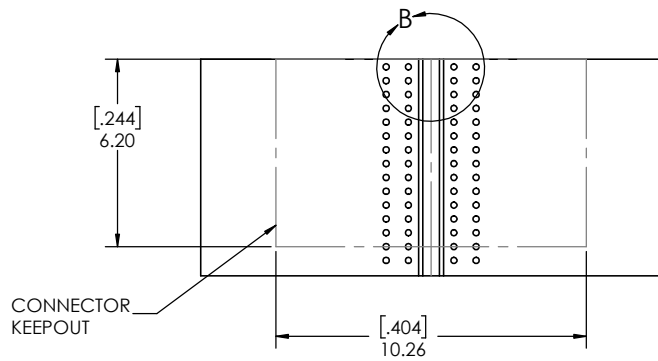
DETAIL B
SCALE 20 : 1



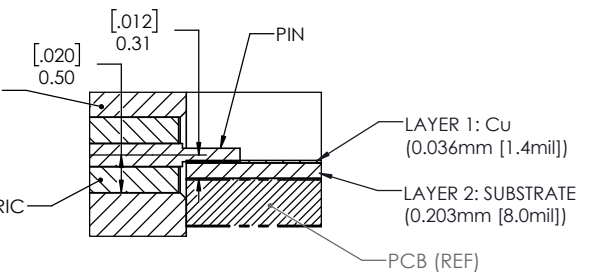
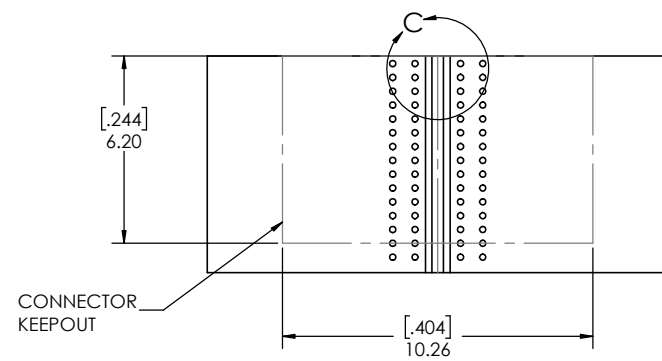
SOLDER PASTE STENCIL
SCALE 6:1



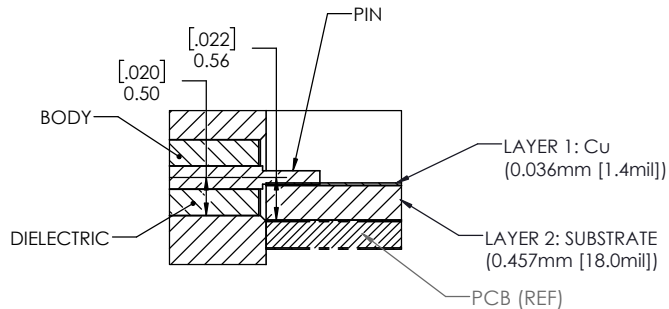
DETAIL C
SCALE 20 : 1



PCB LAYOUT OPTION 1
0.457mm [18.0mil] THICK SUBSTRATE (LAYER 2)



PCB LAYOUT OPTION 2
0.203mm [8.0mil] THICK SUBSTRATE (LAYER 2)



PCB LAYOUT (FOR REFERENCE ONLY)



1.85mm STRAIGHT JACK,
EDGE MOUNT (MANUAL
SOLDER)

SIZE C	CAGE CODE 7M294	PART NUMBER TMB-E8FS-1S1	REV 3
SCALE: 8:1		PART NUMBER: TMB-E8FS-1S1 2 OF 2	