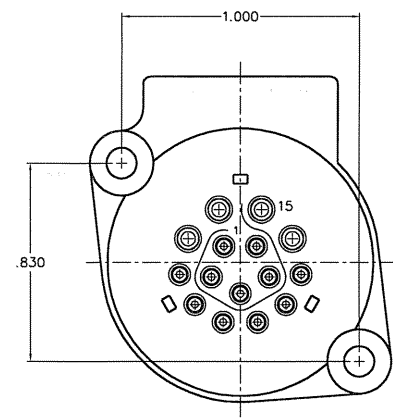
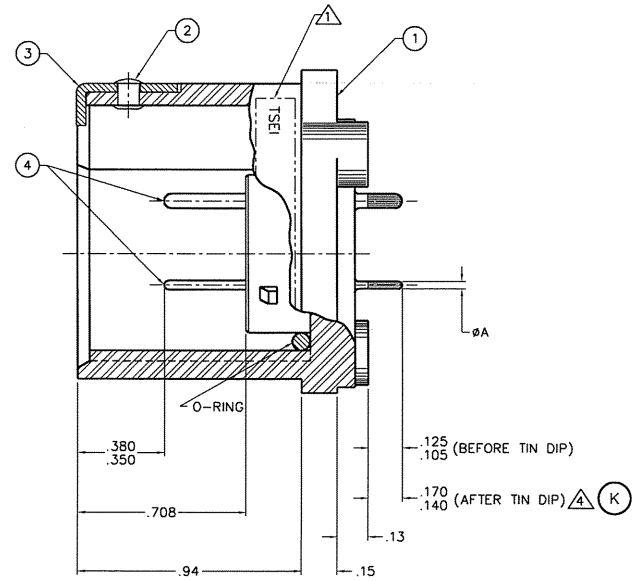
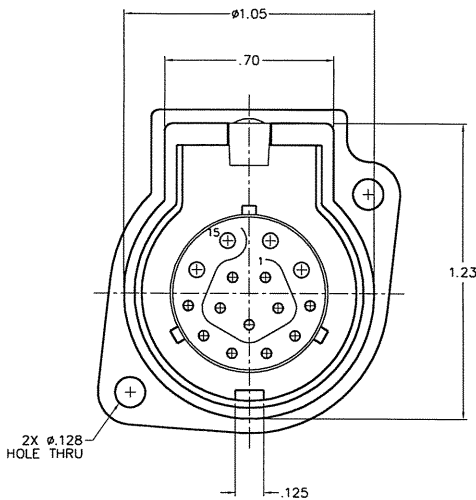


REV. NO.		REV. K		
DATE	DESCRIPTION	DATE	APPROVED	
1-11-01	F REVISED PER EO 14029	1-11-01	FMA	
10-29-01	G REVISED PER EO 14031	10-29-01	FMA	
4-9-02	H REVISED PER EO 15174	4-9-02	FMA	
6-27-02	J REVISED PER EO 15627	6-27-02	FMA	
2/22/8	K REVISED PER EO 18836			

THIS DOCUMENT CONTAINS PROPRIETARY INFORMATION AND EXCEPT WITH WRITTEN PERMISSION OF TRI-STAR ELECTRONICS INT'L, INC. SUCH INFORMATION SHALL NOT BE PUBLISHED, OR DISCLOSED TO OTHERS, OR USED FOR ANY PURPOSE, AND THE DOCUMENT SHALL NOT BE DUPLICATED IN WHOLE OR IN PART.



CAVITY LOCATION	CONTACT SIZE	ØA ±.001 (BEFORE TIN DIP)	ØA (AFTER TIN DIP)
1, 2, 3, 4, 5, 8, 9, 10, 11, 12, 13	#20 PIN PCTAIL	.030	.030/.035
6, 7, 14, & 15	#16 PIN PCTAIL	.060	.060/.065

- 6. MATES WITH TSEI CB05-15S, CB06-15S, CB08-15S & CB08T-15S CONNECTORS.
- 5. THIS CONNECTOR IS DESIGNED TO WITHSTAND VAPOR PHASE SOLDER REFLOW UP TO 435°F TEMPERATURE.
- ⚠ PC TAILS ARE PRE-TINNED PER MPS-013 USING EUTECTIC, BAR 63/37 SOLDER PER QQ-S-571 AND FLUX, RMA, KESTER No. 197.
- 3. CONNECTOR IS PRE-LOADED WITH (11) SIZE 20 PIN AND (4) SIZE 16 PIN PC TAIL CONTACTS.

⚠ MATERIAL & FINISH:
 SHELL - FORTRON 1140L4, COLOR BLACK.
 CONTACT - BRASS ALLOY WITH GOLD PLATE PER MIL-C-45204, TYPE II, GRADE C, CLASS 1, (.000050 MIN THK) OVER NICKEL PER QQ-N-290 (.000050 MIN THK) OVER .000030 MAX THK COPPER PLATE PER MIL-C-14550. PC TAILS ARE PRE-TINNED AFTER GOLD PLATING.
 O-RING - ETHYLENE PROPYLENE, COLOR BLACK
 LATCH - STAINLESS STEEL, PASSIVATED
 EYELET - BRASS, NICKEL PLATED

⚠ MARKINGS: TSEI, DATE CODE, CAGE CODE "55104" AND PART NUMBER "CB02-15PHT" AND OR CUSTOMER PART NUMBER WHERE APPLICABLE.

NOTES (UNLESS OTHERWISE SPECIFIED)

QTY	FROM NO.	PART OR IDENTIFYING NO.	DESCRIPTION	QTY
			CONTACT, #16, PIN, PC TAIL	4
			CONTACT, #20, PIN, PC TAIL	4
			LATCH, STRAIGHT	3
			EYELET, ROLLED	2
			SHELL, RECEPTACLE	1

UNLESS OTHERWISE SPECIFIED, DIMENSIONS ARE IN INCHES. TOLERANCES ARE:		TRI-STAR ELECTRONICS INT'L, INC. 2201 ROSECRANS AVE., EL SEGUNDO, CA 90226	
PAGES 1/30	BY 803	DATE 4/1/94	REV. K
DO NOT SCALE DRAWING	DATE 4/1/94	DATE 4/1/94	DATE 4/1/94
APPROVED	DATE	DATE	DATE
BY O. BRAGA JR.	4/1/94	4/1/94	4/1/94
BY LBO	4/1/94	4/1/94	4/1/94
BY FMA JR.	4/1/94	4/1/94	4/1/94
S906-70293-210	D55104	CB02-15PHT	K
SCALE NONE	DATE 4-1-94	4-CB15PHT	SHEET 1 OF 1