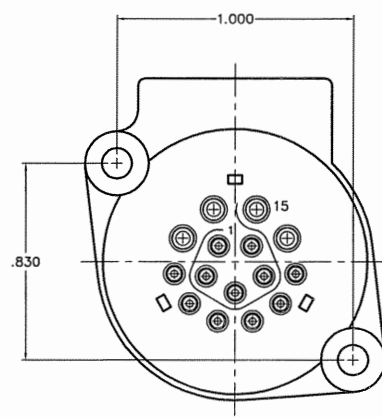
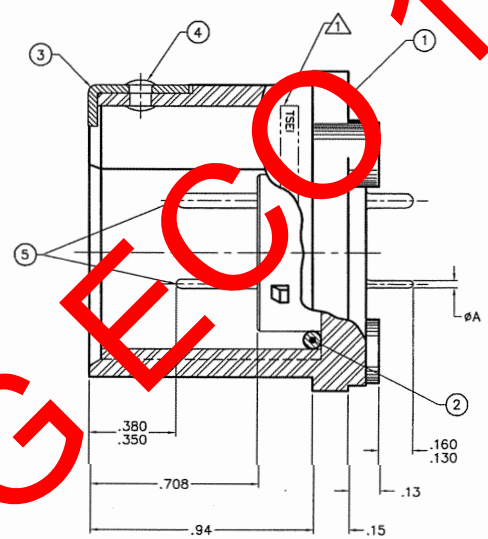
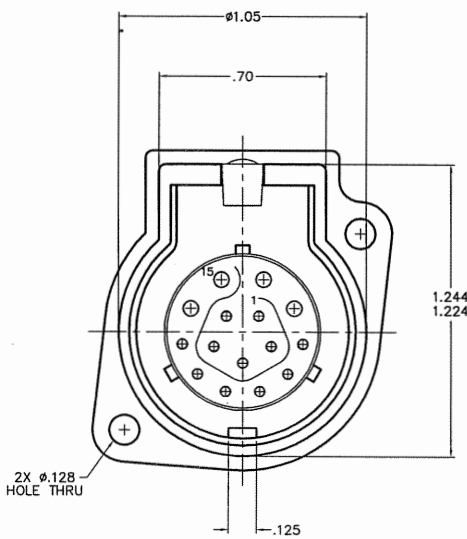


REV	DESCRIPTION	DATE	APPROVED
J	REVISED PER EO 14029	1-12-01	FMA
K	REVISED PER EO 14931	10-29-01	FMA
L	REVISED PER EO 15627	6-27-03	FMA
M	REVISED PER EO 18264	6/17/9	FMA



3. MATES WITH TSEI CBME05-15S, CB06-15S, CB07-15S & CB08-15S CONNECTOR.

MATERIAL & FINISH:
 SHELL - ULTEM 2100 COLOR BLACK
 CONTACT - SUITABLE COPPER ALLOY WITH GOLD PLATE PER MIL-G-45204, TYPE II, GRADE C, CLASS 1 (0.00050 MIN THK) OVER NICKEL PER QQ-N-290 (.000050 MIN THK OVER .0030 MAX THK COPPER PLATE PER MIL-C-14550.
 O-RING - ETHYLENE PROPYLENE COLOR BLACK
 LATCH - STAINLESS STEEL PASSIVATED
 EYELET - BRASS, NICKEL PLATED

CONTACT REQUIREMENT

CAVITY LOCATION	CONTACT SIZE	±A ±.003
1, 2, 3, 4, 5, 8, 9, 10, 11, 12, 13	#20 PIN PCTAIL	.030
6, 7, 14, & 15	#16 PIN PCTAIL	.060

NOTES (UNLESS OTHERWISE SPECIFIED)

MARKING: TSEI, DATE CODE, CAGE CODE "58034" AND PART NUMBER "CB02-15P" AND/OR CUSTOMER PART NUMBER WHERE APPLICABLE.

QTY	FROM	PART OR EQUIPMENT NO.	DESCRIPTION	MATERIAL SPECIFICATION	QTY
11			CONTACT, PIN, PC TAIL, #20		5
4			CONTACT, PIN, PC TAIL, #16		4
1			EYELET		3
1			LATCH, STRAIGHT		2
1			O-RING		1
1			SHELL		1

UNLESS OTHERWISE SPECIFIED, DIMENSIONS ARE IN INCHES. TOLERANCES ARE: ANGLES ±30° .XXX ±.003 .XXX ±.005 .XXX ±.005		APPROVALS DATE O. BRAGA JR. 11/6/92 LBO 11/6/92 APPROVED: FMA JR. 11/6/92 CHECKED:		TRI-STAR ELECTRONICS INT'L, INC. 2201 ROSECRANS AVE., EL SEQUOYO, CA 90245 CONNECTOR, RECEPTACLE, PIN, CB02-15P	
PARTS LIST		SCALE: NONE SHEET 1 OF 1		D55104 CB02-15P M	

PENDING ELEC 199357