

REV. NO.		CBRE02C-15P	1	D
REVIEWS				
REV.	DESCRIPTION	DATE	APPROVED	
C	REVISED PER E.O. 14059	1/30/08	LBO	
D	REVISED PER E.O. 20110		4/4/10 H-C	

THIS DOCUMENT CONTAINS PROPRIETARY INFORMATION AND EXCEPT WITH WRITTEN PERMISSION OF TRI-STAR ELECTRONICS INT'L, SUCH INFORMATION SHALL NOT BE REPRODUCED, OR DISCLOSED IN ANY MANNER, OR USED FOR ANY PURPOSE, AND THE DOCUMENT SHALL NOT BE DUPLICATED IN WHOLE OR IN PART.

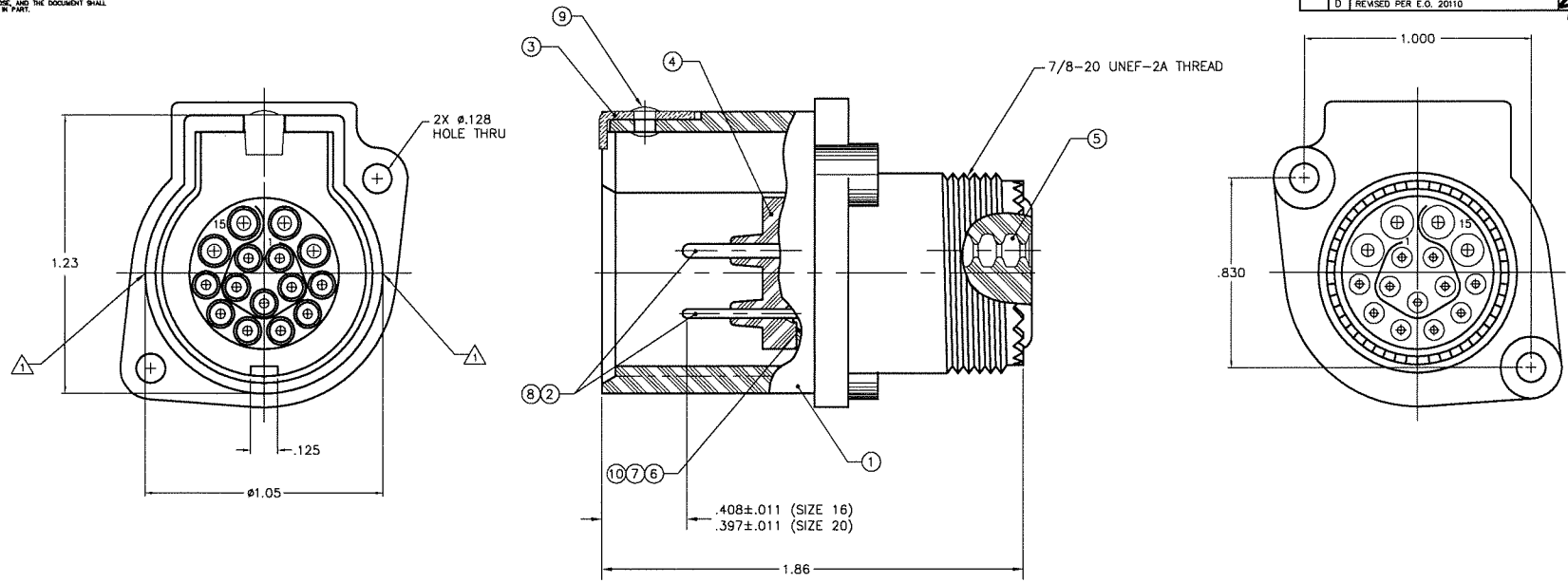


TABLE 1

CONTACT REQUIREMENTS			TOOLING INFORMATION		INSTALLING & REMOVAL TOOLS	
PART NUMBER	SIZE	QTY	BASIC CRIMP TOOL	POSITIONER	INSTALLING TOOL	REMOVAL TOOL
K4004-0001-2005	20	11	M22520/7-01 OR M22520/1-01	M22520/1-02 RED OR M22520/7-02	M81969/8-05 OR M81969/14-02	M81969/8-06 OR M81969/14-02
K4004-0002-1605	16	4	M22520/7-01 OR M22520/1-01	M22520/1-02 BLUE OR M22520/7-03	M81969/8-07 OR M81969/14-03	M81969/8-08 OR M81969/14-03

6. THIS DRAWING MEETS THE REQUIREMENTS OF BOEING STATEMENT OF WORK (SOW).
 5. CONTACTS INSTALLED FOR REFERENCE ONLY. CONTACTS ARE NOT FURNISHED WITH THE CONNECTOR AND MUST BE ORDERED SEPARATELY. SEE TABLE 1 FOR CONTACTS USED IN CONNECTOR.
 4. MATES WITH TSEI PLUG CONNECTOR CBME05-15S & CB05-15S.
 3. CONTACT MEETS ALL REQUIREMENTS OF MIL-C-39029/4 EXCEPT FOR LENGTH.
- MATERIAL:**
 RECEPTACLE BODY & INSULATOR - FORTRON CELANESE, 1140L4 COLOR BLACK
 STRAIGHT LATCH - 300 SERIES, STAINLESS STEEL, PASSIVATED
 CONTACT RETAINING CLIP & INSERT RETAINING RING - BERYLLIUM COPPER, HEAT TREATED
 EYELET - BRASS ALLOY, NICKEL PLATED PER QQ-N-290.
 GROMMET & INTERFACIAL SEAL - SHINCOR PRX-5381A-5, 45 ±5 SHORE OR SILICONE RUBBER, COLOR BLUE.
- PART MARKINGS:**
 "TSEI", DATE CODE, CAGE CODE "55104", AND PART NUMBER ON BOTH SIDES OF THE CONNECTOR.

NOTES (UNLESS OTHERWISE SPECIFIED)

ENVELOPE DRAWING

1	INSERT RETAINING RING	10
1	EYELET	9
11	CLIP, CONT RET, SZ 20	8
4	CLIP, CONT RET, SZ 16	8
1	INSULATOR, REAR	7
1	INSULATOR, FRONT	6
1	GROMMET	5
1	INTERFACIAL SEAL	4
1	STRAIGHT LATCH	3
11	CONTACT, PIN, SZ 20	2
4	CONTACT, PIN, SZ 16	2
1	SHELL	1

UNLESS OTHERWISE SPECIFIED, DIMENSIONS ARE IN INCHES, TOLERANCES ARE:		TRI-STAR ELECTRONICS INT'L, INC. 2201 ROSECRANS AVENUE, EL SEGUNDO, CA 90245	
APPROVALS	DATE	PARTS LIST	
DESIGNED BY M. M. FELIX	8/28/98	CONNECTOR, RECEPTACLE, PIN	
CHECKED BY L.B.O.	1/20/01	TWO HOLE FLANGE, KEYHOLE, PIN CONTACT.	
APPROVED BY L.B.O.	1/20/01	SIZE D55104	ENVR NO. CBRE02C-15P
SCALE	1:1	SCALE	1:1

DO NOT SCALE DIMENSIONS	DO NOT SCALE DIMENSIONS
ANGLE ± 30'	ANGLE ± 30'
± .01	± .01
± .005	± .005
MATERIAL	TREATMENT
FINISH	FINISH
REFERENCE	REFERENCE
NEXT ASSY	USED ON
APPLICATION	APPLICATION