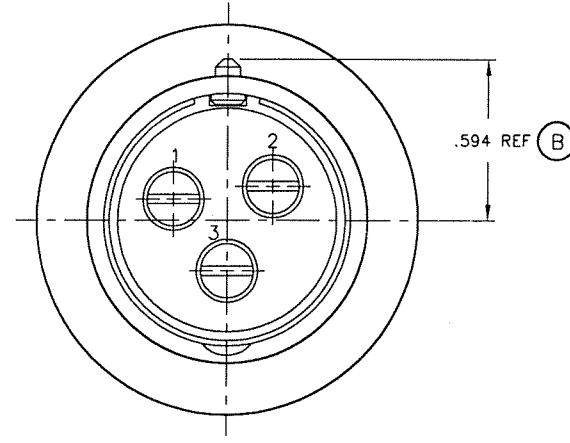
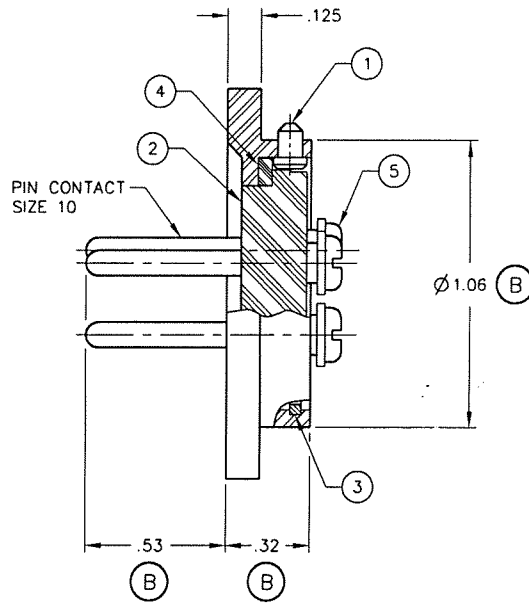
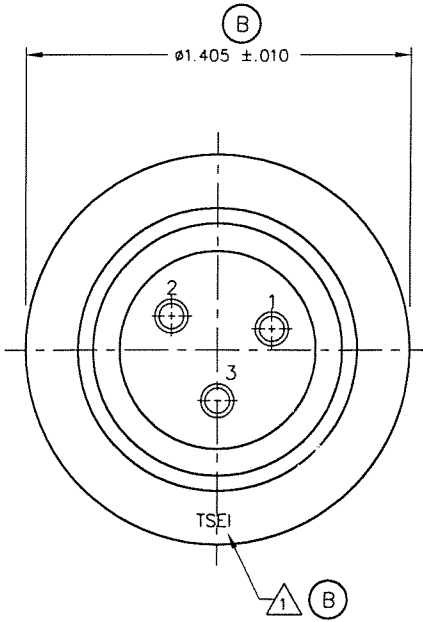


REVISIONS				
ZONE	LTR	DESCRIPTION	DATE	APPD
B		REVISED PER E.O. 14139	2-15-01	FMA

THIS DOCUMENT CONTAINS PROPRIETARY INFORMATION AND EXCEPT WITH WRITTEN PERMISSION OF TRI-STAR ELECTRONICS INT'L, INC., SUCH INFORMATION SHALL NOT BE PUBLISHED, OR DISCLOSED TO OTHERS, OR USED FOR ANY PURPOSE, AND THE DOCUMENT SHALL NOT BE DUPLICATED IN WHOLE OR IN PART.



- (B) 4. PRE LOADED WITH (3) SIZE 10 PIN CONTACTS.
- (A) (B) (1) MATERIAL/FINISH:
 SCREW (#4) & LOCKWASHER (#4) - STEEL/CLEAR CAD PLATED
 INSERT RETAINING RING - PHOSPHOR BRONZE/NICKEL PLATED
 INSULATOR - RYTON #10
 POLARIZING PIN - STAINLESS STEEL/PASSIVATED
 PERIPHERAL SEAL - FLUOROSILICONE
 SHELL - STAINLESS STEEL/PASSIVATED
 PIN CONTACTS (SIZE 10) - COPPER ALLOY/SILVER PLATED

- (B) 2. MATES WITH TSEI CBC-16707 AND ITT CANNON CA16707.
- (A) (B) (1) PART MARKING:
 TSEI, DATE CODE, CAGE CODE "55104", AND PART NUMBER.

NOTES: (UNLESS OTHERWISE SPECIFIED)

QTY	FROM REQD	FROM NO	PART OR IDENTIFYING NO	MANUFACTURE OR DESCRIPTION	MATERIAL SPECIFICATION	ITEM NO
3				SCREW		5
1				PERIPHERAL SEAL		4
1				INSERT RETAINING RING		3
1				INSULATOR		2
1				POLARIZING PIN		1

PARTS LIST

UNLESS OTHERWISE SPECIFIED DIMENSIONS ARE IN INCHES TOLERANCES ARE: ANGLES ±.30° XX ±.01 XXX ±.005		CONTRACT NO		RATING		TRI-STAR ELECTRONICS INT'L, INC. 2201 ROSECRANS AVENUE, EL SEGUNDO, CA 90245	
DO NOT SCALE DRAWING		APPROVALS		DATE		DWG TITLE	
MATERIAL: TREATMENT: FINISH:		DRAWN: J. QUITANCON		9/30/91		CONNECTOR, ELECTRICAL PLUG, THREE (3) PINS, SIZE 10	
REF: (A) (B) (1)		CHECKED: M. L. LEONOE		9/30/91		CAGE CODE	
NEXT ASSEMBLY		APPROVED: F. M. ACOSTA JR		9/30/91		C 55104 CBC-16706-1	
USED ON		APPROVED: M. ACOSTA JR		9/30/91		SCALE: NONE CAD NO: CBC1676 SHEET 1 OF 1	
APPLICATION							