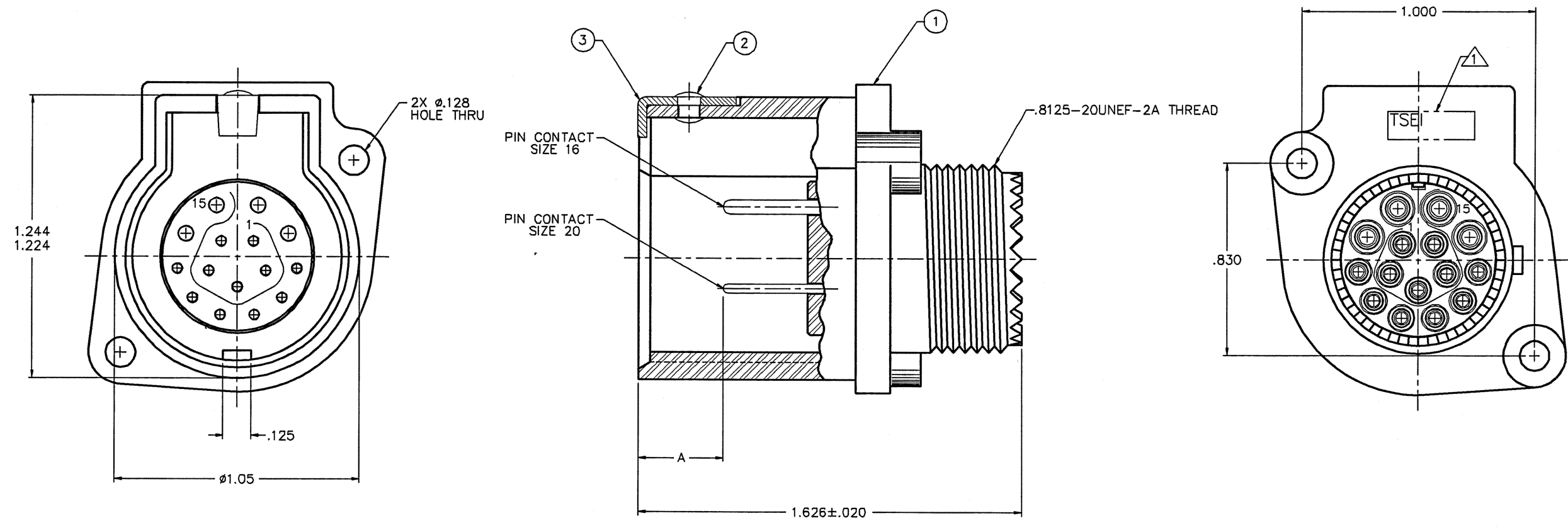


ZONE	REV	DESCRIPTION	DATE	APPROVED
F	REVISED PER EO 14659		6-8-01	FMA
G	REVISED PER EO 14931		10-29-01	FMA
H	REVISED PER EO 15627		6-27-02	[Signature]

THIS DOCUMENT CONTAINS PROPRIETARY INFORMATION AND EXCEPT WITH WRITTEN PERMISSION OF TRI-STAR ELECTRONICS INT'L, INC. SUCH INFORMATION SHALL NOT BE PUBLISHED, OR DISCLOSED TO OTHERS, OR USED FOR ANY PURPOSE, AND THE DOCUMENT SHALL NOT BE DUPLICATED IN WHOLE OR IN PART.



CONTACT REQUIREMENTS				TOOLING INFORMATION		INSTALLING & REMOVAL TOOLS	
PART NUMBER	SIZE	QTY	A $\pm .010$	BASIC CRIMP TOOL	POSITIONER	INSTALLING TOOL	REMOVAL TOOL
K4004-0001-2005	20	11	.364	M22520/7-01 OR M22520/1-01	M22520/1-02 RED OR M22520/7-02	M81969/8-05 OR M81969/14-02	M81969/8-06 OR M81969/14-02
K4004-0002-1605	16	4	.365	M22520/7-01 OR M22520/1-01	M22520/1-02 BLUE OR M22520/7-03	M81969/8-07 OR M81969/14-03	M81969/8-08 OR M81969/14-03

- 5. CONNECTOR IS SUPPLIED WITH CONTACTS.
- 4. MATES WITH TSEI CONNECTOR PLUG CB05-15S, CB06-15S, CB08-15S & CB08T-15S.
- 3. CONTACT MEETS ALL REQUIREMENTS OF M39029/4 EXCEPT FOR LENGTH.

2 MATERIAL & FINISH:
 RECEPTACLE SHELL & REAR INSULATOR - ULTEM 2100, COLOR BLACK
 LATCH - 300 SERIES STAINLESS STEEL, PASSIVATED
 EYELET - BRASS, NICKEL PLATED
 PIN CONTACT - BRASS ALLOY #360, 1/2 HARD, GOLD PLATE PER MIL-G-45204, TYPE II, GRADE C, CLASS 1, .000050 MIN THK OVER .000050 MIN THK NICKEL PLATE PER QQ-N-290.
 CONTACT RETAINING CLIP (NOT SHOWN) - BERYLLIUM COPPER, HEAT TREATED
 O-RING - ETHYLENE PROPYLENE, COLOR BLACK.

1 MARKING: TSEI, LOT NO., DATE CODE, CAGE CODE "55104" AND PART NUMBER "CB02C-15P" AND/OR CUSTOMER PART NUMBER WHERE APPLICABLE.

NOTES (UNLESS OTHERWISE SPECIFIED)

1		STRAIGHT LATCH	3
1		EYELET	2
1		RECEPTACLE SHELL	1

QTY	PSM NO.	PART OR IDENTIFYING NO.	NOMENCLATURE OR DESCRIPTION	MATERIAL SPECIFICATION	ITEM NO.
			PARTS LIST		

UNLESS OTHERWISE SPECIFIED, DIMENSIONS ARE IN INCHES. TOLERANCES ARE:

ANGLES	.XX	.XXX
$\pm 30'$	$\pm .01$	$\pm .005$

DO NOT SCALE DRAWING

MATERIAL	TREATMENT	FINISH	APPROVALS	DATE	TITLE
2		2	L. B. ODUCA	2/12/92	CONNECTOR, RECEPTACLE, PIN CB02C-15P

APPROVED: [Signature] 6-27-02

SCALE NONE | CAGE CODE **D55104** | DWG. NO. CB02C-15P | REV. H | SHEET 1 OF 1